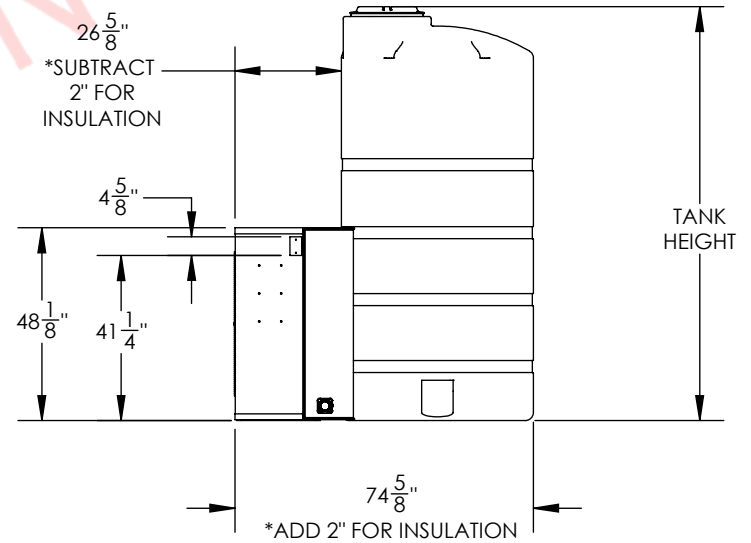
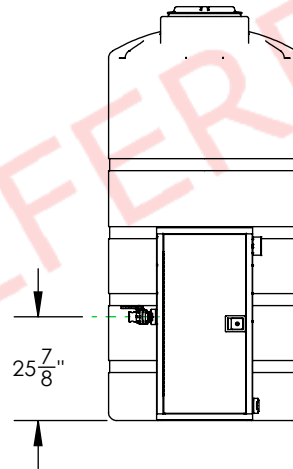
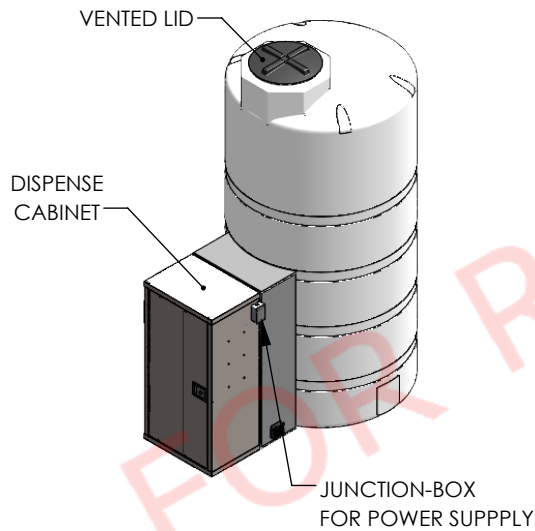
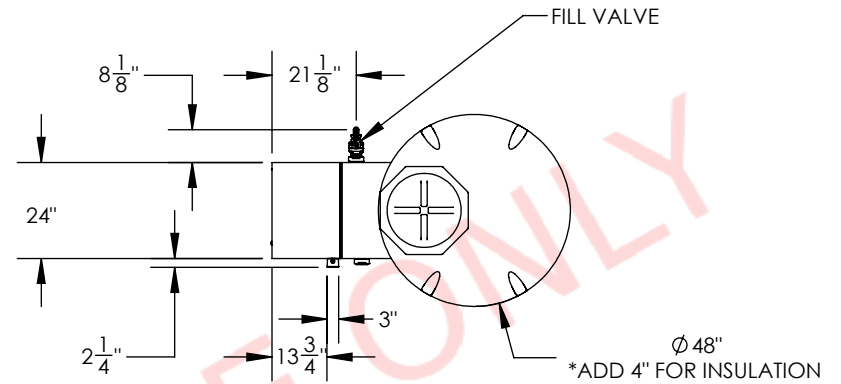


***NOTICE:**
TANK DIMENSIONS WILL CHANGE WHEN INSULATED.



SSECO SOLUTIONS | (216) 431-6100

TANK CAPACITY IN GALLONS	TANK HEIGHT
500	73"
750	103 1/2"
850	118"
1050	132 1/2"

PROJECT				NORTHERN EASYTANK	
DWG.					REV
48" DIAMETER TANK FAMILY					2
DWG. NO.	DRAWN	REV DATE			
-	PA	11 FEB 2020			
SCALE	SIZE	SHEET			
1:48	A	1 OF 1			