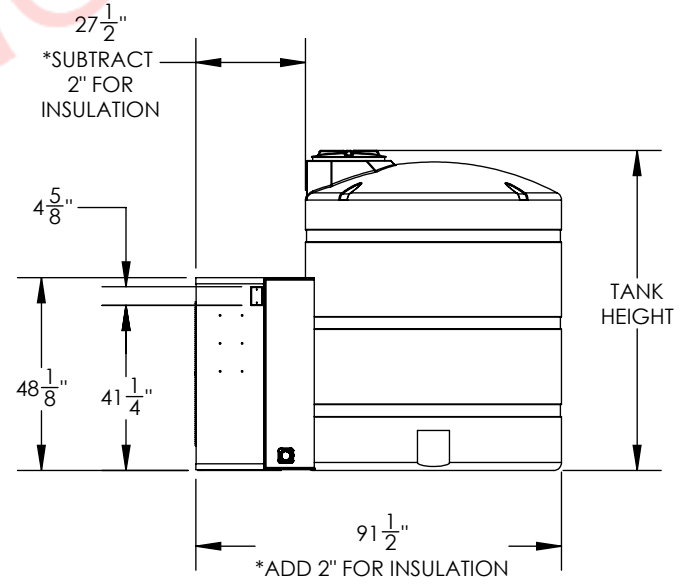
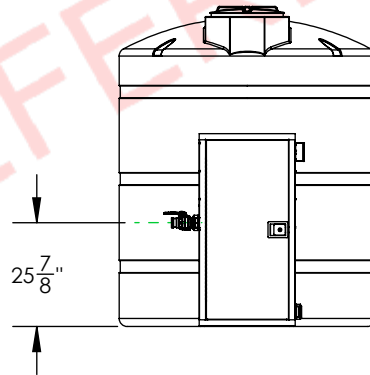
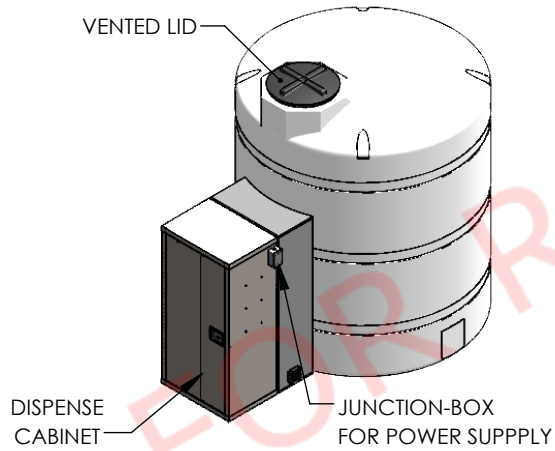


***NOTICE:**
TANK DIMENSIONS WILL CHANGE WHEN INSULATED.



SSECO SOLUTIONS | (216) 431-6100

CAPACITY IN GALLONS	TANK HEIGHT
1000	80"
1500	116"
2000	155 1/2"

PROJECT				NORTHERN EASYTANK	
DWG.					REV
64" DIAMETER TANK FAMILY					2
DWG. NO.	-	DRAWN	PA	REV DATE	11 FEB 2020
SCALE	1:48	SIZE	A	SHEET	1 OF 1